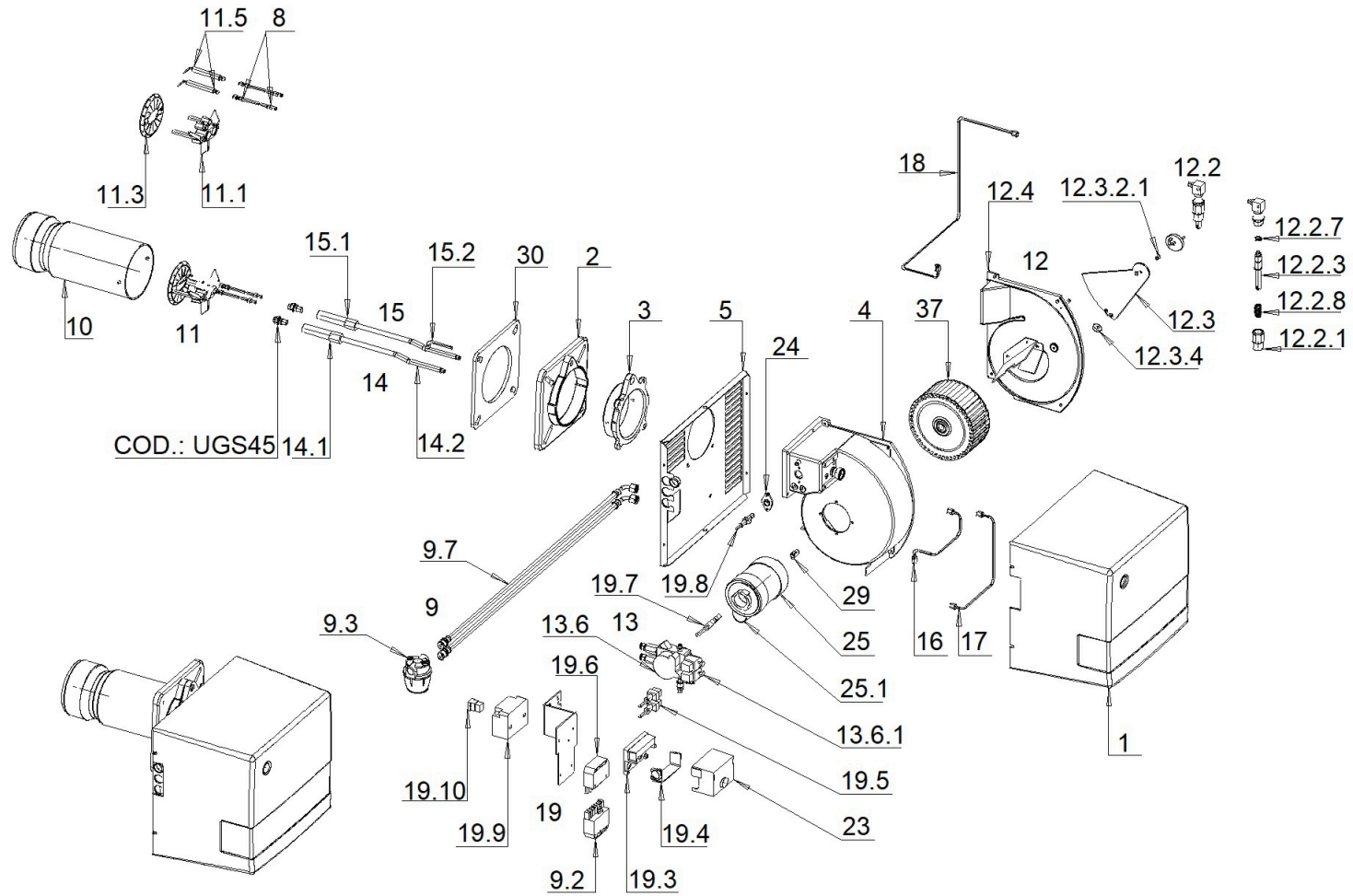


001629\_1A

BURNER LIGHT-OIL\_2



001629\_1A

BURNER LIGHT-OIL\_2

Pos.	Code	Descriptions	Minimun Purchase Quantity
1	011216	COVER FBR RED	1
2	011263	BOILER FLANGE	1
3	013448	COLLAR	1
4	013580	BURNER'S BODY	1
5	022258	FRONT SHIELD	1
8	040282	IGNITION CABLE CARBON Sez.1-D5 D6.35-D4	1
9	054153	BURNER'S ACCESSORIES FBR	1
9.2	118445	PLUG WIELAND ST 18-7 (7 POLES.T)	1
9.3	224500	FILTER FAG 20151-PE 0.1-D3:8P	1
10	054538	BLAST TUBE	1
9.7	278014	PIPE FLEX L DN6-800 FF 1:4P-3:8P	1
11	055631	COMBUSTION HEAD D98	1
11.1	013579	FLAME DISK SUPPORT	1
11.3	021131	FLAME DISK	1
11.5	133219	IGNITION ELECTRODE	1
12	055636	GR.COVER ASPIRATION LX	1
12.2	052279	GR.HYDRAULIC JACK	1
12.2.1	031252	HYDRAULIC JACK SLEEVE	1
12.2.3	031628	HYDRAULIC JACK STEM	1
12.2.7	229302_2	GASKET DE056 DALMAR - VITON	1
12.2.8	244204	SPRING TO CYLINDRICAL HELIX 1.4x13.2x52	1
12.3	054446	GR.SHUTTER AIR	1
12.3.2.1	220006	BUCKLE CYLINDRICAL FB1-0510 D5X7X10	1
12.3.4	220000	BEARING SKF 626-2Z	1

001629\_1A

BURNER LIGHT-OIL\_2

Pos.	Code	Descriptions	Minimum Purchase Quantity
12.4	055642	GR.COVER ASPIRATION LX	1
13	055637	GR.POMP (SUNTEC) 230V-50:60Hz	1
13.6	258895	POMP SUNTEC A2L65A-9708-4P-0500 230V-50:60Hz	1
13.6.1	111226	COIL SUNTEC-3713798 230V-50:60Hz	1
13.6.2	258583	BODY SOLENOID VALVE POMP SUNTEC-991502_2 AT-AL	1
13.6.3	590000	GASKET SHAFT POMP SUNTEC-991511 AN-AS-AL-AT	1
14	055638	NOZZLE-HOLDER GR.	1
14.1	034822	NOZZLE-HOLDER	1
14.2	034835_2	NOTZZLEHOLDER PIPE Zn	2
15	055641	NOZZLE-HOLDER GR.	1
15.1	034822	NOZZLE-HOLDER	1
15.2	055634	TUBE WITH INDEX GR.WELDED	1
16	055643	GR.PIPELINE DELIVERY POMP-NOZZLE-HOLDER 1°ST.	1
17	055644	GR.PIPELINE DELIVERY POMP-NOZZLE-HOLDER 2°ST.	1
18	055645	GR.PIPELINE DELIVERY HYDRAULIC JACK	1
19	060457	BURNER'S ELECTRICAL PANEL SIEMENS 1Nac230V-50:60Hz	1
19.10	189006	CABLE+CONNECTOR M-TR-DANFOSS L300	1
19.3	111001	BASE CONTROL BOX SIEMENS AGK11	1
19.4	111002	STILL-CABLE CONTROL BOX SIEMENS AGK66	1
19.5	118416	CABLE+CONNECTOR M-EVP L350	1
19.6	118444_3	SOCKET ELET.PLAST. EP-7 (7 POLES.T)	3
19.7	119002	CABLE+CONNECTOR M-MT L570	1
19.8	139107	PHOTORESISTANCE SIEMENS A7G1034415 BLACK L=500	1
19.9	189005	IGNITION TRANSFORMER DANFOSS EB14 052F4031 230V-50:60Hz	1

001629\_1A

BURNER LIGHT-OIL\_2

Pos.	Code	Descriptions	Minimum Purchase Quantity
20	070065	INSTRUCTIONS LIGHT OIL _2 IT FBR-	1
21	076016	DECLARATION OF CONFORMITY - IGEFD FBR-	1
22	078359	ELECTRICAL DIAGRAM BURNER	1
23	101010_2	CONTROL BOX SIEMENS LOA24.171B2FB 230V-50:60Hz	2
23.1	077048	CONTROL BOX INSTRUCTIONS SIEMENS-N7118	1
24	111013	BASE FR SIEMENS QRB1	1
25	158118	MOTOR SIMEL ZD2197-32-2P 250W 230V-50Hz-1.6A-8uF-CL.B	1
25.1	118202	CONDENSER SIMEL 6.3 uF-Vn450	1
29	229002	JOINT MOTOR-POMP SIMEL	1
30	229733	GASKET FLANGE BURNER	1
37	291098	FAN D160x70 RD HUB D12.7	1
UGS45	UGS45	Nozzle	1